

 Digital Signage

melford **OUTDOOR ADVERTISING DISPLAY**

22" outdoor advertising display - high brightness, mounted, tablet-style display ideal for any weather conditions

Designed for outdoor, 24/7 usage

Sunlight readable display with anti-reflective glass

IP65 rated for weather protection

IK10 rated to withstand tampering and damage

Integrated Android media player

Free lockable wall mount

ADDITIONAL FEATURES



Weatherproof design



Ambient light sensor



Giant tablet styling



Customisation available



Internal locker



Advanced temperature control system



Plug and play



Optional network upgrade

melfordtechnologies.com



Presenting the
Melford Outdoor
Advertising Display
range

melford



2,000 CD/M²
SUNLIGHT READABLE



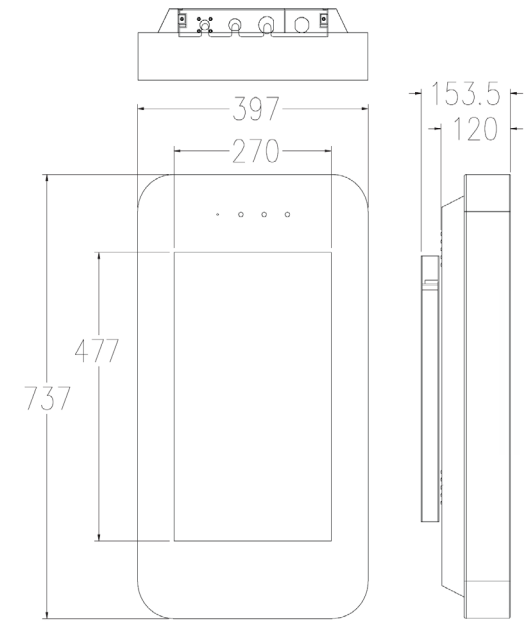
IP65 RATED



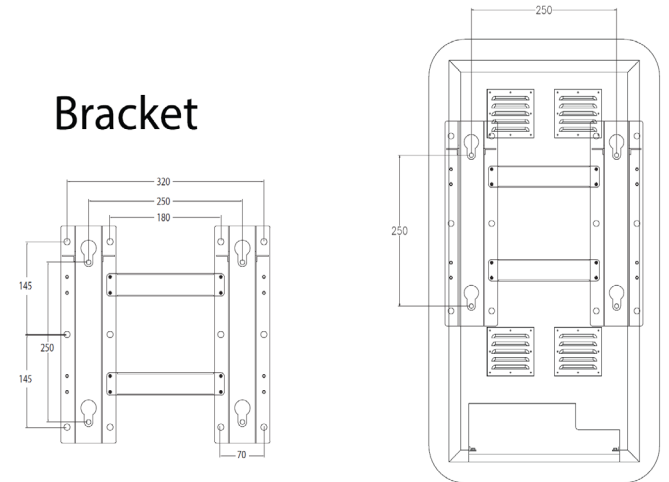
IK10 RATED



GIANT TABLET STYLING



Bracket



PLUG AND PLAY



OPTIONAL NETWORK UPGRADE



24/7 USAGE



LANDSCAPE OR PORTRAIT
ORIENTATION



melford

22 Inch

Panel	Resolution	1920 x 1080
	Display Area (mm)	477 x 270
	Aspect Ratio	16:9
	Brightness (cd/m ²)	2000
	Colour	16.7M
	Viewing Angle	178°
	Contrast Ratio	8000:1
AV Inputs	Video	HDMI, VGA (Internal)
Power	Power Consumption (W)	130
	Input Voltage	AC110~240V (50Hz~60Hz)
Mechanical	Unit Size (WxHxD mm)	737 x 397 x 120
	Package Size (WxHxD mm)	860 x 560 x 280
	VESA Holes (mm)	250 x 250
	Net Weight (kg)	22
	Gross Weight (kg)	27
	IK Rating	IK10
Environmental	Operating Temperature	-20°C to 50°C
	Operating Humidity	10% to 80%
	Storage Temperature	-30°C to 60°C
	Storage Humidity	5% to 90%
	Enclosure Protection	IP65
Computer	Media Formats	Video (MPG, AVI, MP4, RM, RMVB, TS), Audio (MP3, WMA), Image (JPG, GIF, BMP, PNG)
	Media Resolution	1920 x 1080 / 1080 x 1920
	Internal Memory	6GB
	CPU	Quad-Core Cortex-A17@1.61GHz
	GPU	Mali-T760 MP4 @600MHz
	RAM	2GB DDR3
	Internal Storage	8GB NAND
	USB	USB2.0 HOST (x2)
	LAN	10/100/1000Mb/s Ethernet
	Wi-Fi	802.11b/g/n/ac
	OS	Android 5.1.1
	Graphic Engine	OpenGL ES 1.1/2.0/3.0/3.1, OpenCL 1.1, Renderscript, Direct3D 11.1
	Accessories	Included
Optional		Touch Screen Upgrade, Network Upgrade, Camera
Warranty	Warranty Period	3 Year Warranty
	Technical Support	Lifetime

Why Melford?

Melford Technologies have been offering innovative technology solutions for over 50 years.

We provide experienced professional design, project planning, configuration, deployment, and maintenance services for a full one stop shop.

We can assist with the design and manufacture of your digital signage solution from the blank piece of paper at the initial meeting through to installation and post-sales support.

Contact Us

+44 (0)1494 638 069

info@melfordtechnologies.com

melfordtechnologies.com

